

ESL8596A2 Pin-Schottky Diode Limiter

8.5-9.6 GHz Narrow Band



Technical Characteristics

Product Features

- Power Handling: 1 watt CW, 100W peak power
(1 usec Pulse Width, 0.1% Duty Cycle Derated to 20% @ +125 °C)
- Internal DC block
- Fast recovery time - 200 uSec typ.
- Limiting threshold above +4dBm typ. & low typical output leakage
- Low insertion loss

Maximum Ratings

- Storage Temperature.....-65° to +125°C
- Operating Temperature.....-55° to +90°C
- Max Input Power.....+2 watts CW, 100 watts peak

Product Export Classification

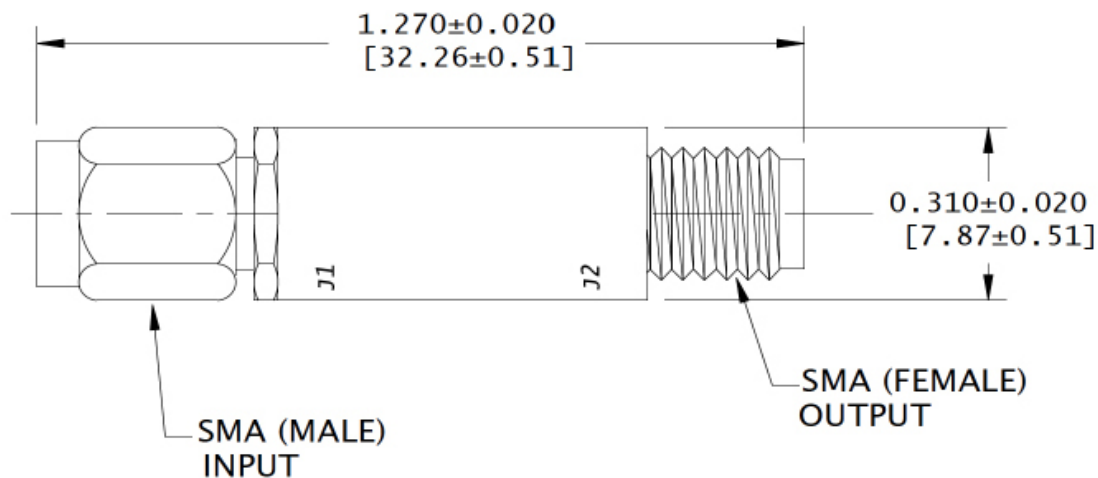
- ECCN: EAR 99 (unless otherwise specified)
- HTS: 85543.70.8000

Specifications @ +25°C & -10 dBm input power.

Electrical Specifications

Parameters	Freq. (GHz)	Min.	Typical	Max.	Units
Insertion Loss	8.5 to 9.6		1.4		dB
VSWR	8.5 to 9.6		1.6:1		-
Leakage Power (CW)	8.5 to 9.6			+14	dBm CW
				+17	dBm Peak
Operating Temperature		-55		+90	°C

Outline drawing



Notes:

1. Limiter has an internal DC block.
2. Typical values are measured at +25°C and are not guaranteed.